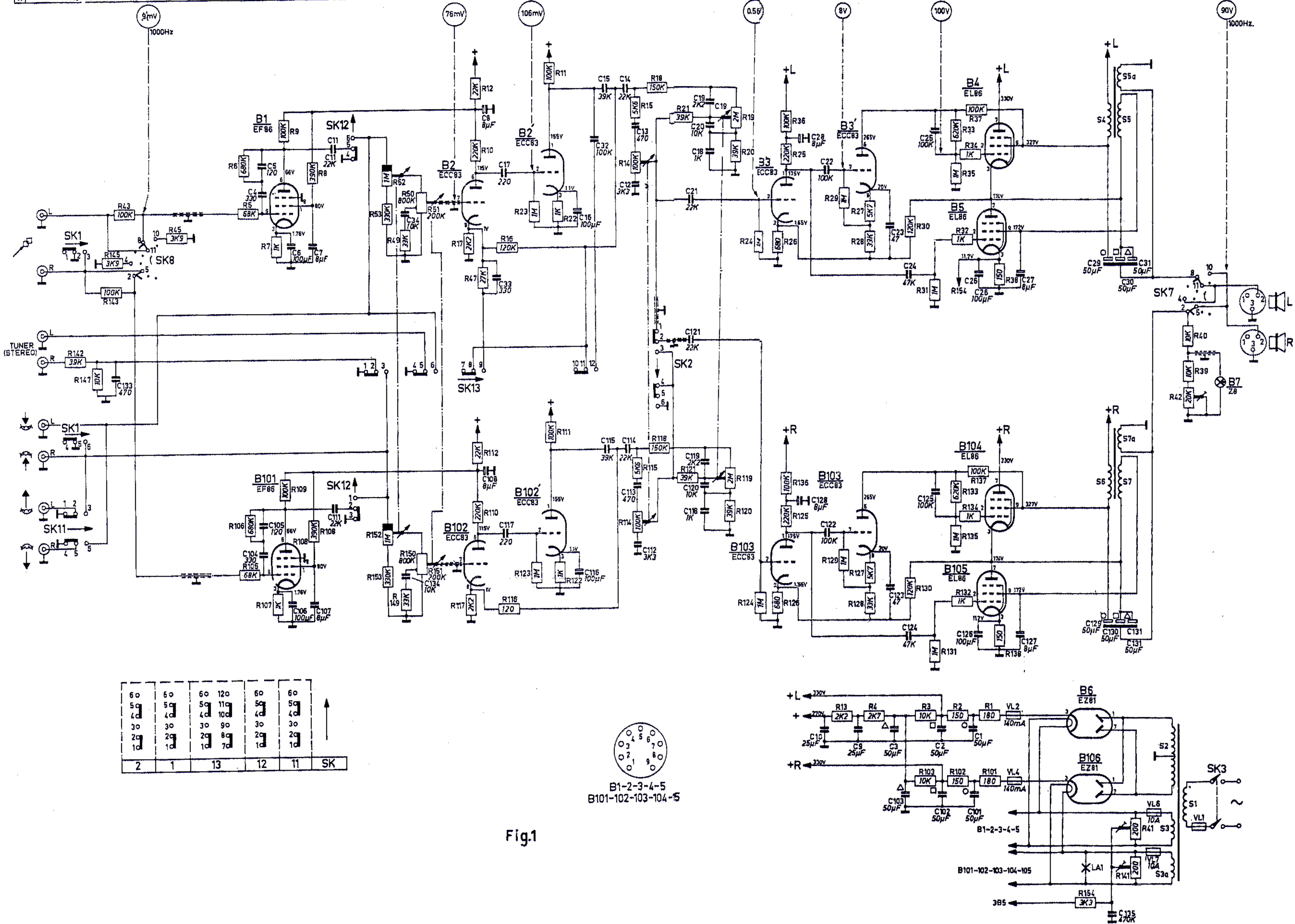


S																				4, 5.5a, 6, 7.7a,	2, 3, 3a, 1
C	133		5, 4, 105, 104, 6, 106, 7, 107	11, 111		34, 134		8, 33, 17, 117, 108		16, 116, 32, 15, 115, 14, 114, 12, 112, 13, 113	19, 20, 119, 120, 121, 21, 18, 118	0, 128	28, 128, 10, 22, 122, 123, 9, 23, 123, 3	24, 124, 103, 25, 125, 2, 102, 1, 101, 126, 26, 27, 127	29, 30, 31, 129, 130, 131, 135	154	41, 141, 40, 39, 42				
R	142, 147, 145, 143, 43	45	6, 5, 106, 105, 7, 107, 9, 109, 8, 108		52, 152, 153, 53, 4, 9, 149, 50, 150, 10, 110, 17, 117, 47, 16, 116	23, 123, 11, 11, 122, 122	15, 14, 115, 114, 18, 21, 118, 121, 20, 120, 19, 119, 24, 124, 30, 36, 25, 125, 26, 126, 29, 129, 27, 127, 28, 128, 13, 30, 130, 31, 31, 3, 35, 135, 33, 133, 34, 134, 37, 137, 38, 138, 103, 2, 102, 1, 101														



60	60	60	120	60	60	
40	50	50	110	50	50	
30	40	40	100	40	40	
20	30	30	90	30	30	
10	20	20	80	20	20	
	10	10	70	10	10	
2	1	13	12	11	SK	

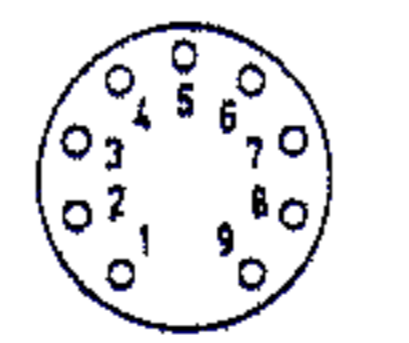


Fig.1